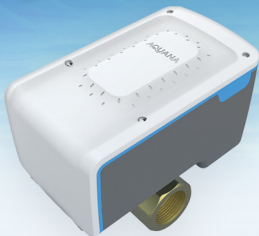


AQUANA



Aquana SV-1 Smart Valve with Integrated AMI Endpoint



The Aquana SV-1 Smart Valve with integrated AMI endpoint provides 2-way communication between the service location and the Aquana Cloud-based web & mobile applications.

Every Smart Valve has 3 valve positions (OPEN, CLOSED, REDUCED FLOW), is NSF61 certified with a lead-free brass body, stainless steel ball valve, and is available in common residential pipe sizes.

The SV-1 indoor model can be powered by either AC-power with on-valve battery backup, or by battery only. The battery is replaceable.

The integrated AMI endpoint supports either pulse or encoded output meters, via 2 or 3-wire serial cable, to collect, store, and transmit meter readings at user configurable check-in intervals.

On-valve configurable leak and burst protection can provide flow-based detection, with immediate notification and automatic shutoff capabilities for constant flow and high flow conditions.

Operating Characteristics

- 3-positions (Open, Closed, Reduced)
- Lead-Free Stainless Steel Ball Valve with Brass Body
- Max Pressure: 150 psi
- Max Operating Pressure: 150 psi
- Operating Temp: -22°F-140°F (-30°C - 60°C)
- Max Water Temp: 140°F (60°C)
- Min Water Temp: 32.1°F (0.5°C)

Ratings/Certifications

- FCC/IC
- NSF/ANSI 61 Certified - Lead-free

Control / Connectivity Options

- Bluetooth for local control & activation
- WiFi, LoRaWAN, LTE-M, or NB-IoT

Meter Support

- Pulse or Encoded Output
- Configurable Read Interval

Pipe Sizes

- 1/2" (DN15), 3/4" (DN20), 1"(DN25), 1.25" (DN32), 1.5" (DN40)

Dimensions & Weight

- 5.4" (137.08mm) L
- 3.32" (84.44mm) W
- 3.86" (97.93mm) H
- 2.2lbs (depending on pipe size)

Power Specifications

- Input: 12v DC 1A; supplied by external power supply 100-240V, 50/60hz, 0.5A
- Internal Power: 3.6v Lithium Metal battery included (replaceable)

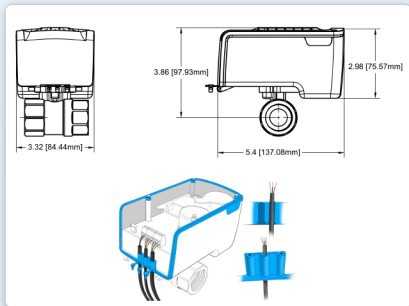
Flexible Cloud Connectivity

On-Valve Leak & Burst Protection

Open, Closed, and Reduced Flow Positions

The custom designed cable harness helps keep our case IP50 rated. Thread both AC power and/or meter cable through the inserts to create a tight gasket seal around the cable, ensuring that the case is water tight. Screw down the wires to the terminal block, attach the lid, and you're ready to go. If you don't need to attach cables, just leave inserts plugged.

The valve design also provides the shortest lay length possible for tight fitting service locations at 3.32" and can be installed at any orientation.



Monitor, Control, and Protect with Aquana

